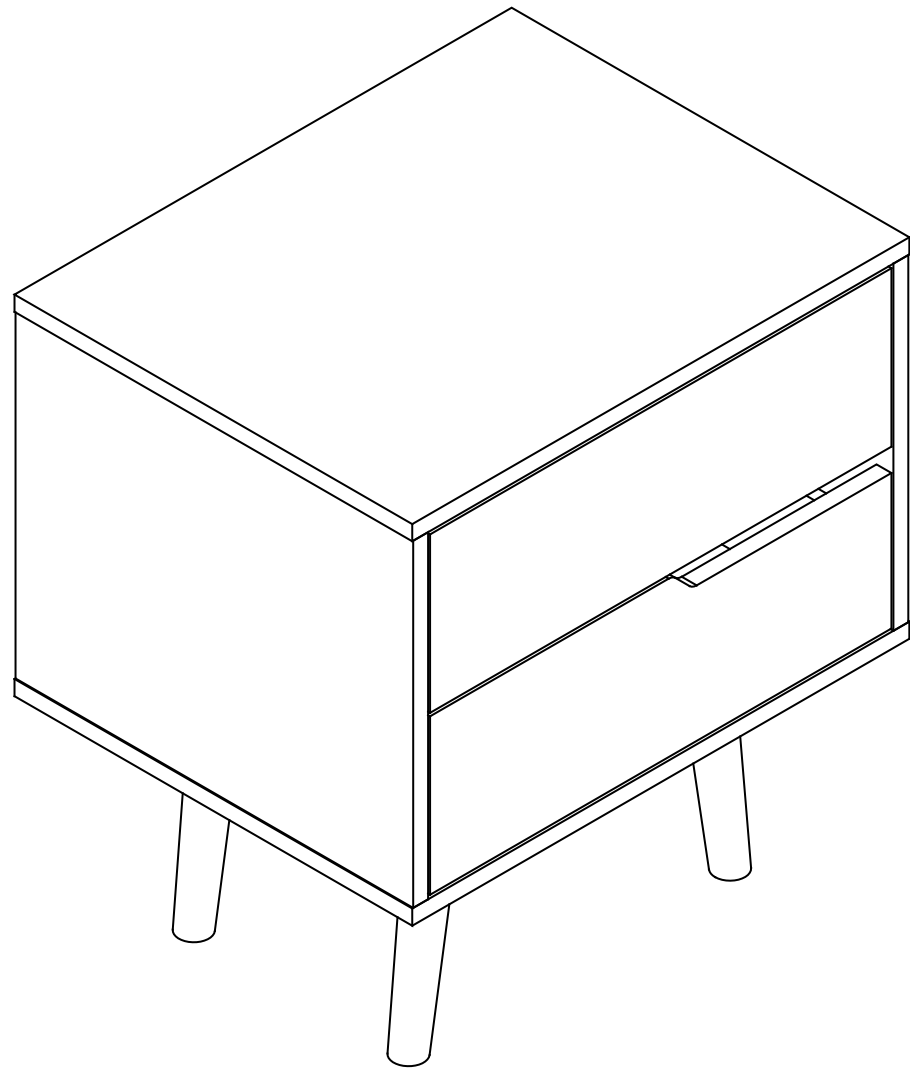


Edmond

Bedside Table

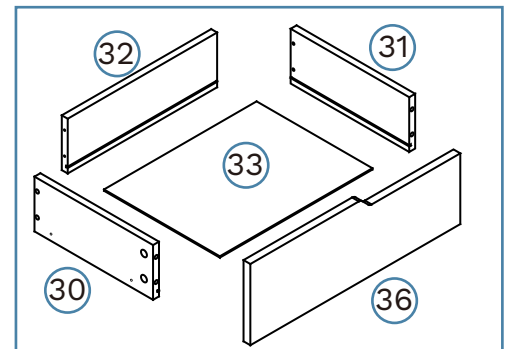
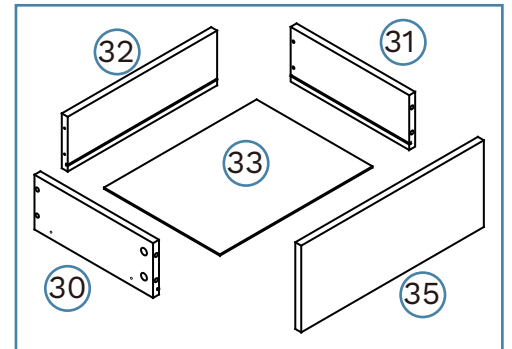
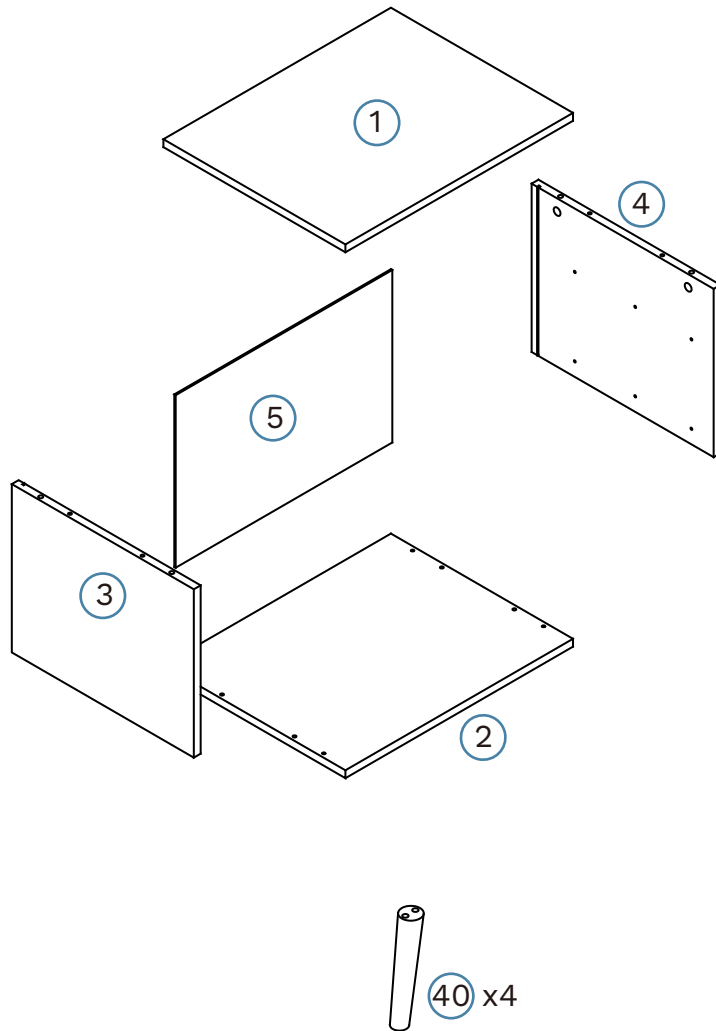
Thank you for your purchase. Please follow the instructions for correct assembly. While we took great effort to ensure these assembly instructions were correct at the time of printing, sometimes updates are required post production. For the most up to date versions please refer to the product page on our website. mocka.com.au/mocka.co.nz



Edmond

Bedside Table

Panel Layout








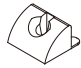











Partlist






①	Top Panel	x1	③①	Right Drawer Side	x2
②	Bottom Panel	x1	③②	Drawer Back	x2
③	Left Side Panel	x1	③③	Drawer Base	x2
④	Right Side Panel	x1	③⑤	Drawer Front	x1
⑤	Back Panel	x1	③⑥	Drawer Front	x1
③⑦	Left Drawer Side	x2	④①	Leg	x4

Edmond

Bedside Table

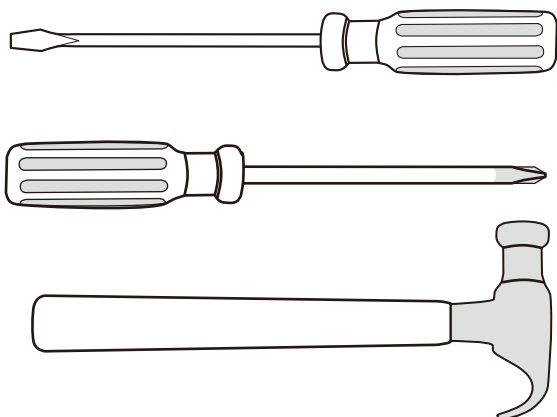
A  dowel x8	B  Long screw x4	C  bolt x12	D  locking nut x12	E  screw x20	F  bolt x16	G  bracket x4	H  wedge x4	I  screw x4	J  long bolt x8	
K  plastic glide x4	L  allen Key x1	M  screw x8	CL  slide rail x2	CR  slide rail x2	DL  slide rail x2	DR  slide rail x2				

HARDWARE SUPPLIED

V  safety strap x1	W  screw x 1	X  wall anchor x 1	Y  wall screw x 1	Z  washer x 2
---	---	---	--	--

WALL STRAP

WARNING: Any furniture that is not anchored to a wall has the potential to tip over in certain circumstances, i.e. if a child attempts to climb up on the furniture or in the event of an earthquake. Accordingly, we recommend that all furniture is anchored to a wall. We supply a free safety wall anchor with all furniture sold and we recommend these are used to prevent your product tipping. The fixing device provided should fit most wall types, but please note that different wall materials may require different fixing devices from those supplied.



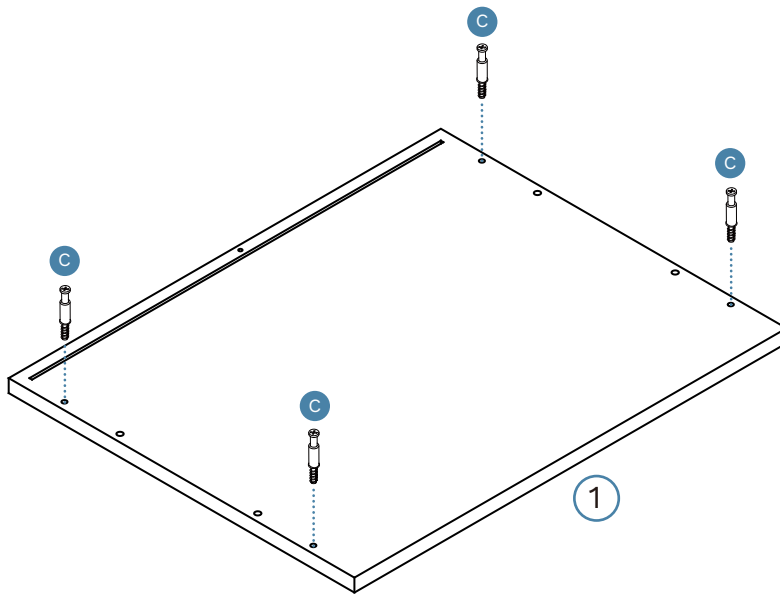
Phillips & Flathead screwdrivers
and hammer required


For quicker assembly, we recommend the use of a power drill on a low-speed setting.

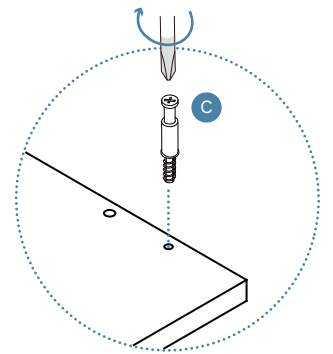
Edmond

Bedside Table

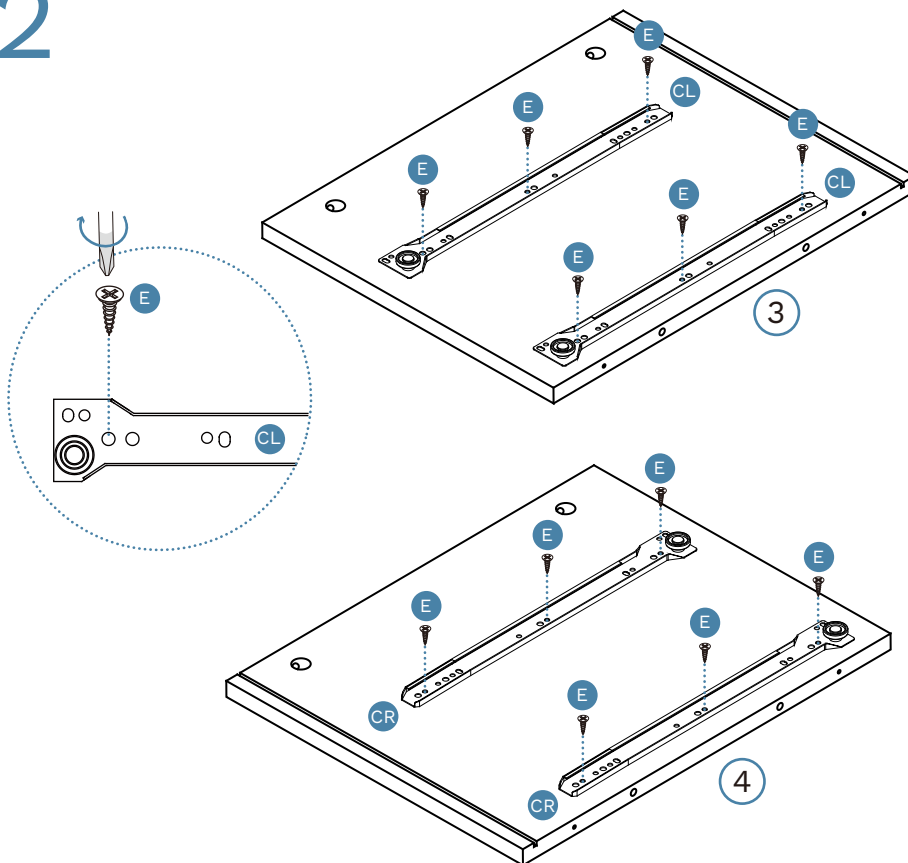
1






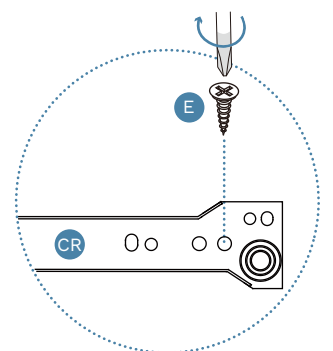
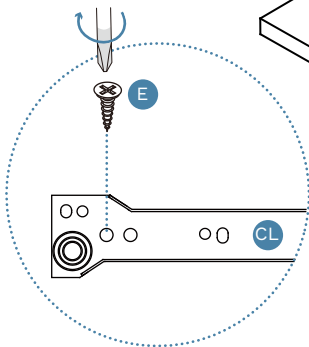
Hardware Needed		
C		x4



2



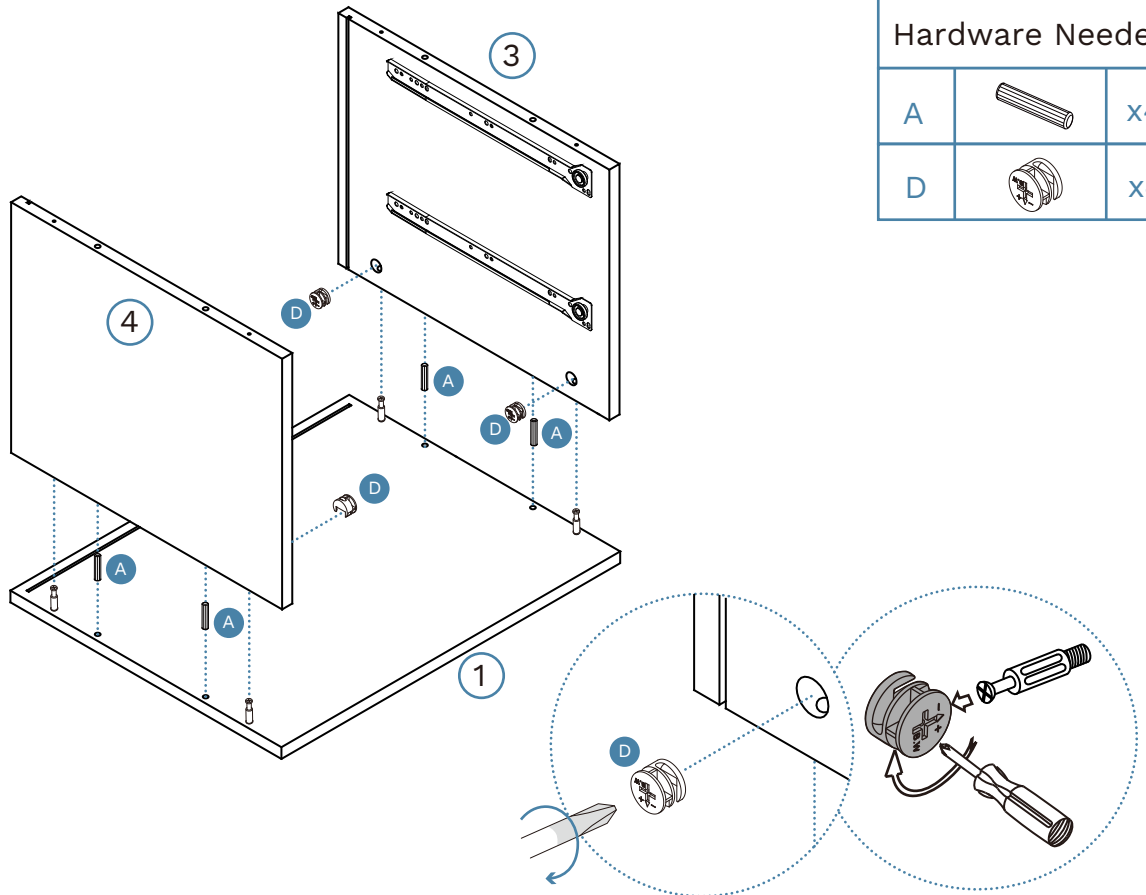
Hardware Needed		
E		x12
CL		x2
CR		x2





Edmond

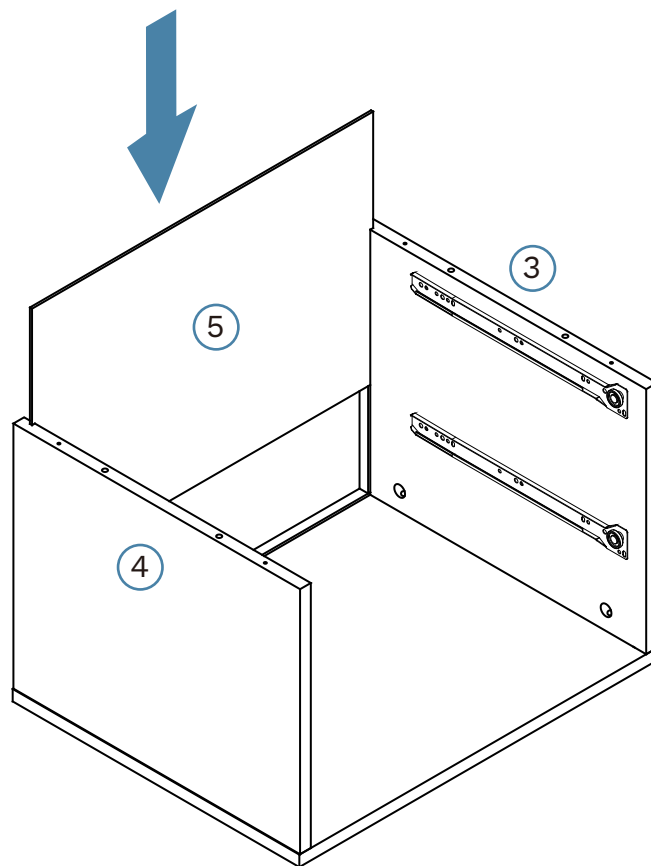
Bedside Table

3



Hardware Needed		
A		x4
D		x4

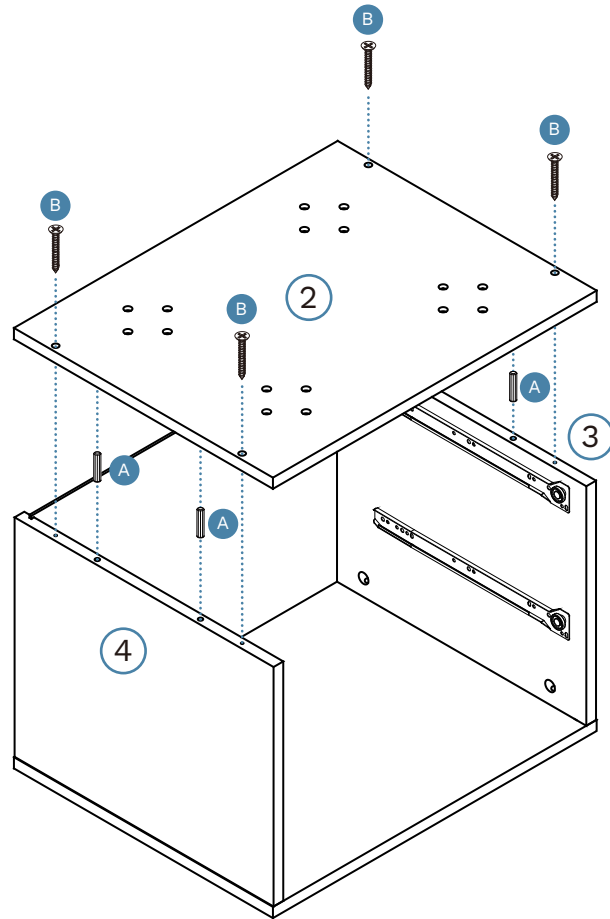
4





Edmond

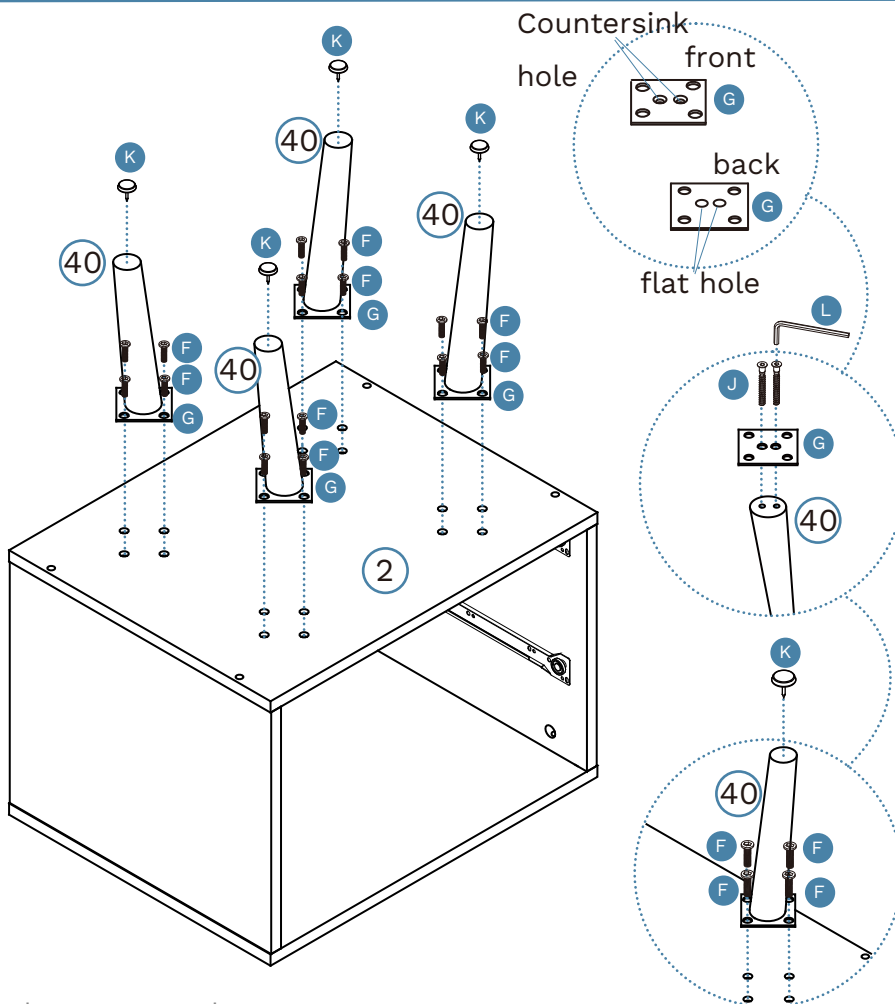
Bedside Table






5



Hardware Needed		
A		x4
B		x4

6



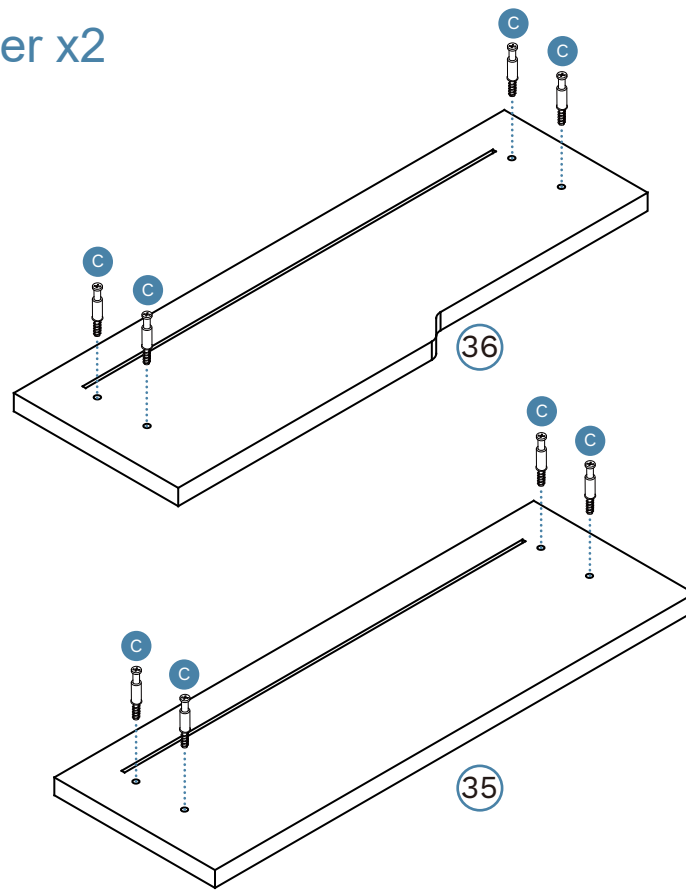
Hardware Needed		
F		x16
G		x4
J		x8
K		x4
L		x1


Turn Over
Mocka.

Edmond

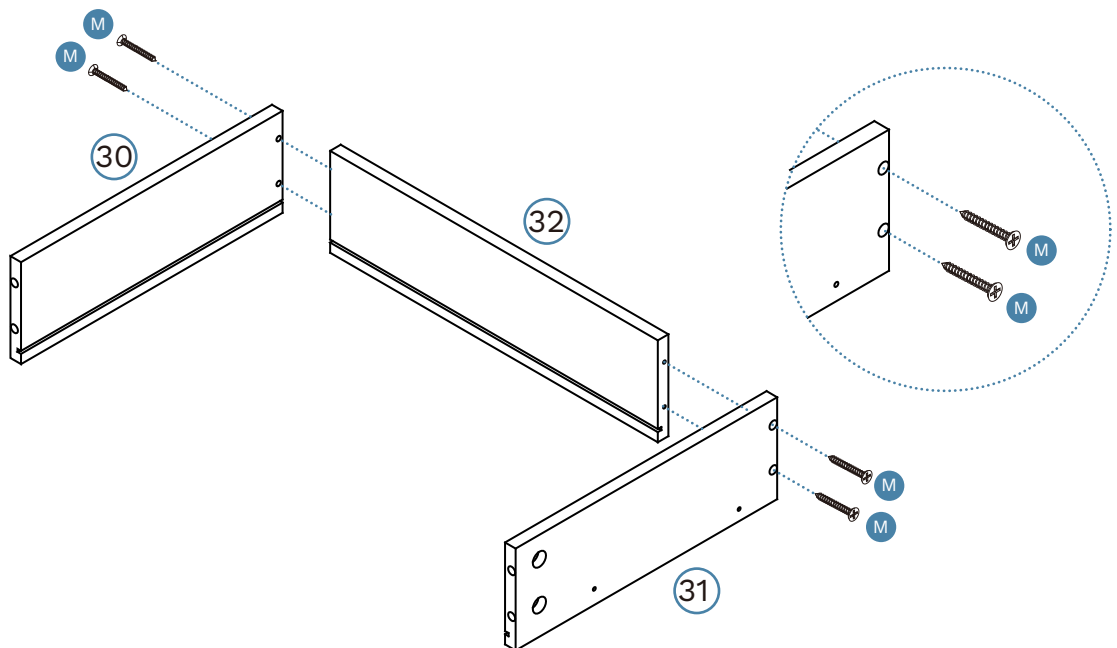
Bedside Table


7 Drawer x2



Hardware Needed		
C		x8

8 Drawer x2

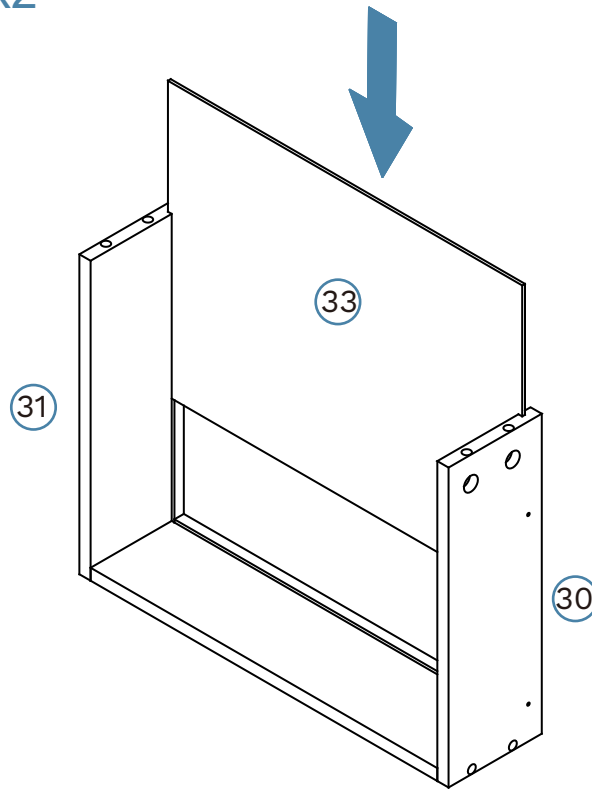


Hardware Needed		
M		x8

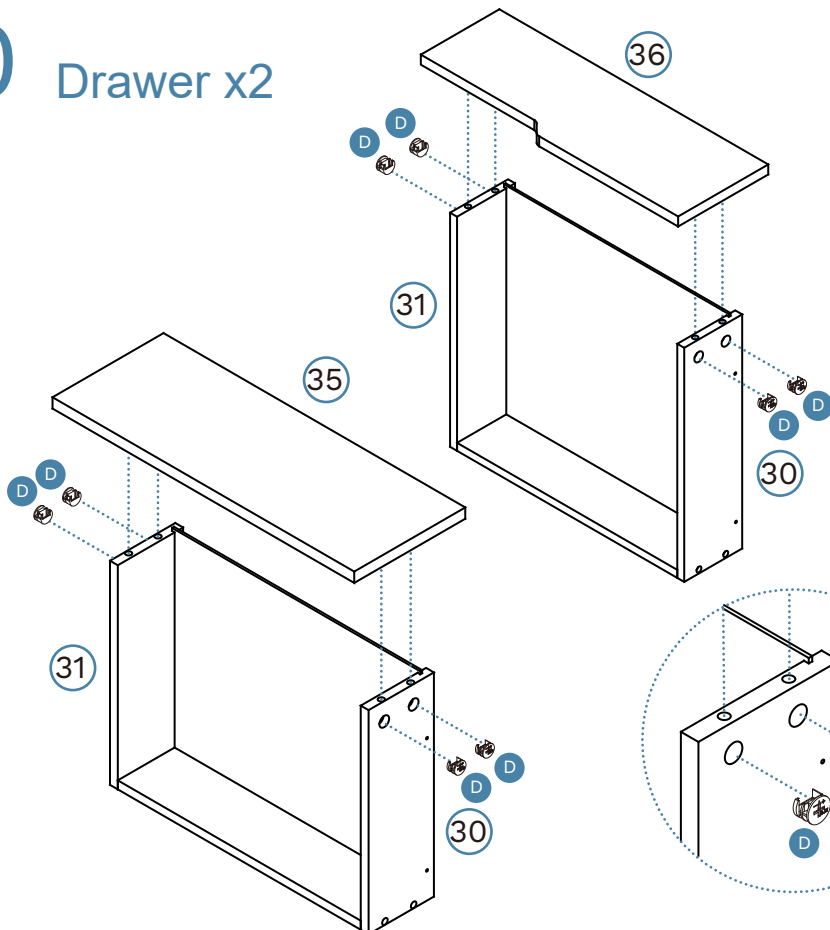
Edmond

Bedside Table


9 Drawer x2



10 Drawer x2






Hardware Needed

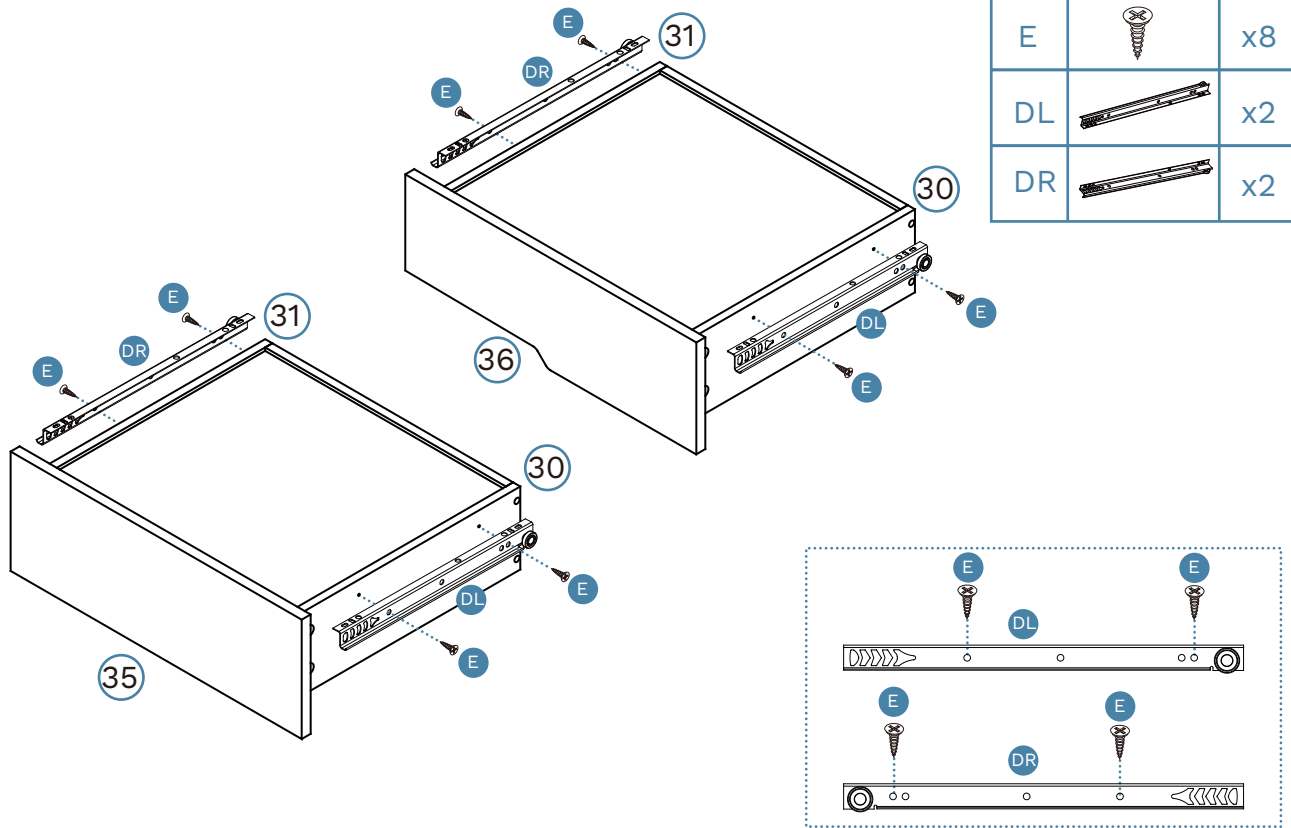
D		x8
---	---	----

Edmond

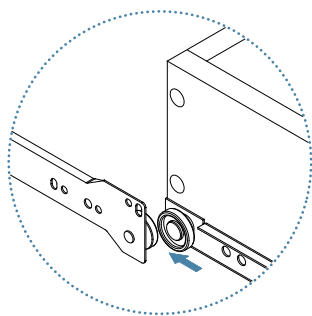
Bedside Table

11 Drawer x2

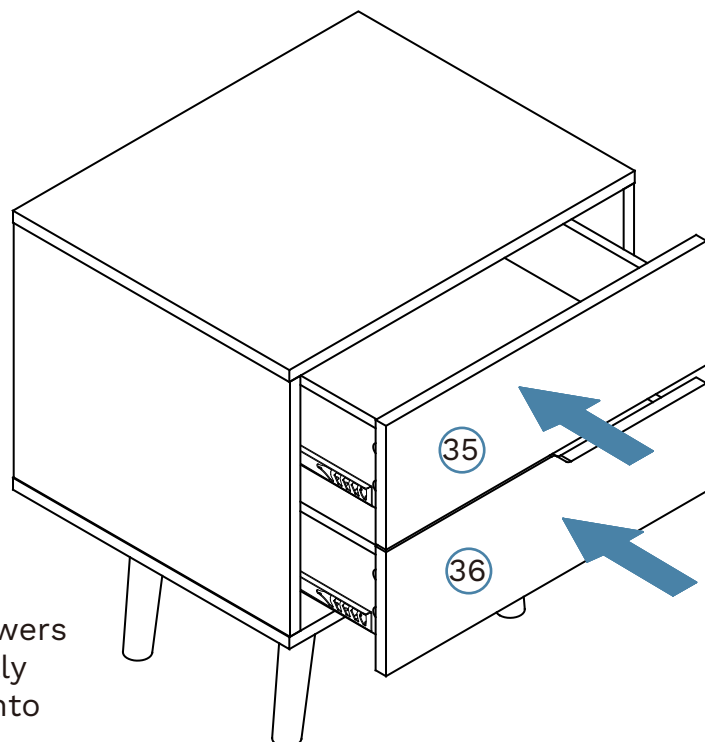
Hardware Needed		
E		x8
DL		x2
DR		x2



12



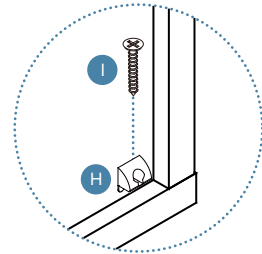
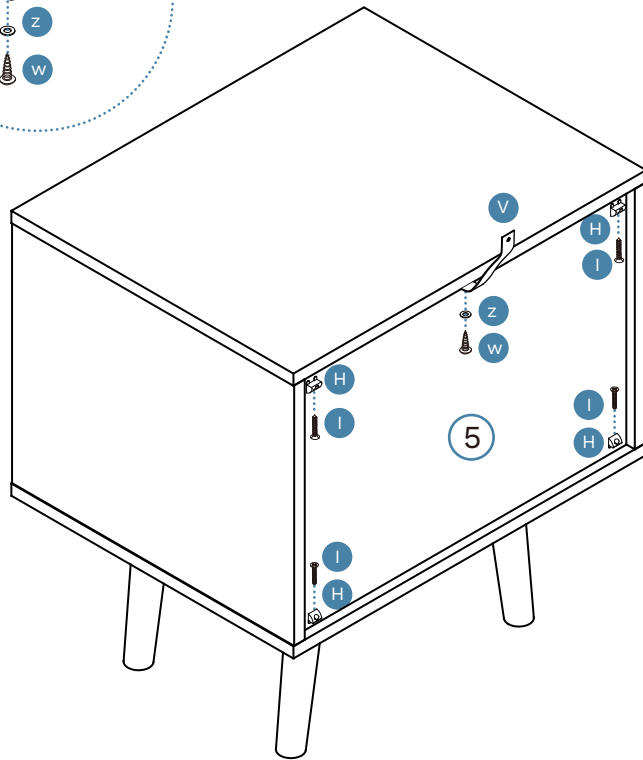
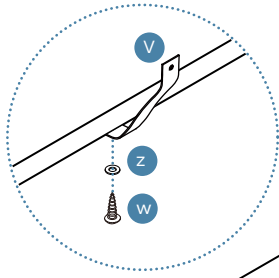
Carefully insert the drawers into the unit by gently guiding the runners into the tracks.



Edmond

Bedside Table

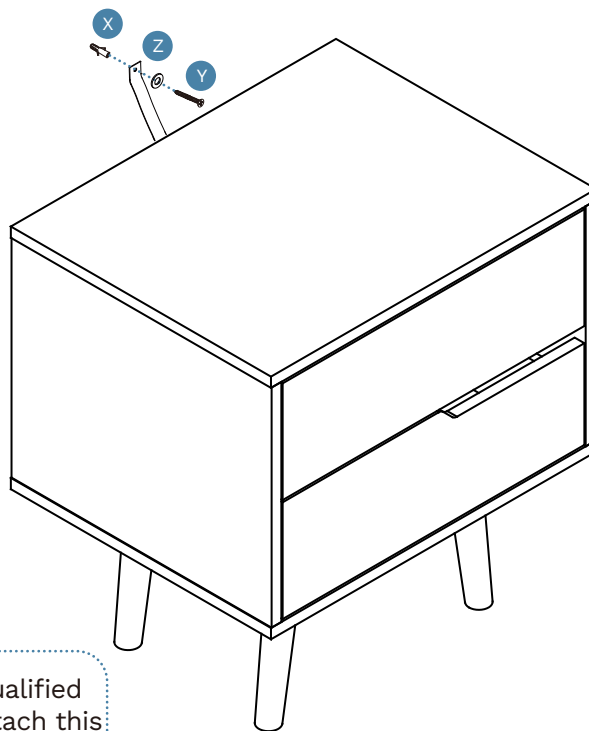
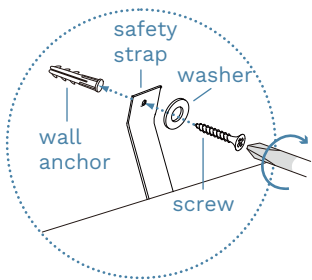
13



Hardware Needed

H		x4
I		x4
V		x1
W		x1
Z		x1

14



Hardware Needed

X		x1
Y		x1
Z		x1

Note: Seek advice from a qualified trades person on how to attach this safety strap to your specific wall.

Once assembled lift furniture into place, do not drag. You're done, enjoy!